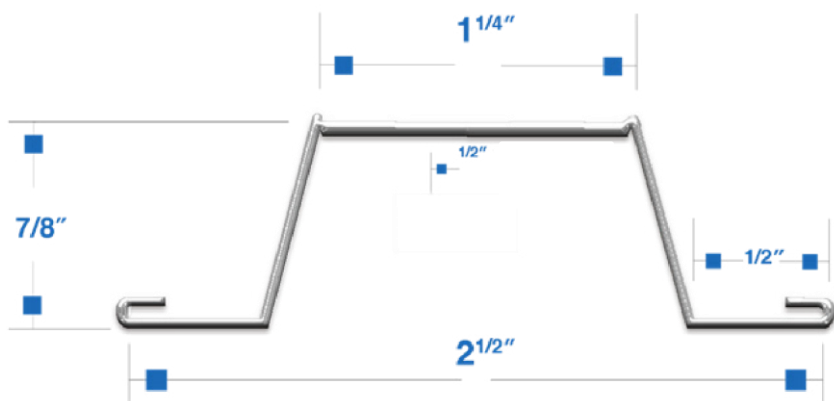


NON-Structural

Furring channel



*Picture is reference only; it may differ from the actual product

The furring channel is a hat-shaped framing member designed so that the gypsum boards that will form the surface of the continuous ceiling, built-in boxes or border plates can be fixed to it with screws. Its geometry allows it to be fixed under the channel. The furring channel can also be used to cover the masonry or concrete walls with gypsum boards as a paneling.

Geometric properties

Panel Rey's Furring Channel is produced from hot dipped galvanized steel and has a standard G40 galvanized coating. It is manufactured with a 1 ¼ in top flange and ½ in symmetrical flanks for mechanical fastening, and it has a profile height of 7/8 in.

Product Data	
Length*:	10'
Pieces per bundle:	20
Pieces per pallet*:	840
Total linear feet	8400

*Consult your sales agent for special length measurements
* Maximum pieces per pallet, amount could change per request.

Steel Thickness

Member	Reference Gauge USA	Design thickness (in)	Thickness (Mils)	Minimum thickness (in)
087F125-18	25	0.0188	18	0.0179
087F125-33	20	0.0346	33	0.0329

ASTM Standards and Compliance Codes

All Panel Rey® Furring Channel meet or exceed the following ASTM and Construction standards:

- ASTM A653 *Standard Specification for Steel Sheet, Zinc-Coated (Galvanized) or Zinc-Iron Alloy-Coated (Galvannealed) by the Hot-Dip Process*
- ASTM C645 *Standard Specification for Nonstructural Steel Framing Members*
- ASTM C754 *Standard Specification for Installation of Steel Framing Members to Receive Screw-Attached Gypsum Panel Products*
- ASTM A924/A924M *Standard Specification for General Requirements for Steel Sheet, Metallic-Coated by the Hot-Dip Process.*
- ASTM A1003 *Standard Specification for Steel Sheet, Carbon, Metallic- and Nonmetallic-Coated for Cold-Formed Framing Members*
- AISI S100 & AISI S220
- 2018 IBC

LEED Credits

- **Leed v4 MR.** Raw Material Supply
- **Leed v4 MR.** Construction and Demolition Waste Management.
- **Leed v3 MR2.** Construction Waste Management. The steel used is 100% recyclable.
- **Leed v3 MR4.** Recycled Content. The steel used in the profiles has a minimum of:
 - Total recycled content: **49%**
 - Post-consumer recycled content: **37%**
 - Pre-Consumer recycled content: **12%**

Physical and Structural Properties

Product	FY (ksi)	Design Thickness (in)	Sectional properties						Effective properties 33 KSI			
			Area (in ²)	Weight (lb/ft)	I _x (in ⁴)	R _x (in)	I _y (in ⁴)	R _y (in)	I _x (in ⁴)	S _x (in ³)	Ma (in/lbs)	Va (lb)
087F125-18	33	0.0188	0.072	0.244	0.009	0.354	0.035	0.698	0.008	0.016	26.61	255
078F125-33	33	0.0346	0.130	0.443	0.016	0.349	0.062	0.689	0.016	0.034	56.23	464

Sectional Properties

I_x: Moment of inertia of gross section about the X-X axis (strong axis).

S_x: Section modulus about the X-X axis (strong axis).

R_x: Radius of gyration of the gross section about the X-X axis.

I_y: Moment of inertia of gross section about the Y-Y axis (weak axis).

R_y: Radius of gyration of the gross section about the Y-Y axis.

Effective Properties

I_{xe}: Effective moment of inertia about the X-axis.

S_{xe}: Effective section modulus about the X-X axis (strong axis) stress = F_y.

Ma: Allowable Bending Moment - Based on the effective section modulus and the allowable stress including the strength increase from the cold-work of forming (Section A3.3.2) where applicable.

Va: Allowable strong axis shear at punchout.

Notes:

1. Calculated properties are based on AISI S100-16, "North American Specification for Design of Cold-Formed Steel Structural Members."

2. Minimum base metal thickness is 95% of design thickness. Design thickness used for determination of properties.

3. Effective properties are based on F_y=33ksi. For deflection calculations, use effective I_x. Effective I_x is based on Procedure 1 of S-100.

4. Effective properties are given as the minimum value for positive or negative bending.

Allowable Ceiling Spans

For more information and tables, please refer to the SFIA "Technical Guide for Cold-Formed Steel Framing Products."

Storage

Store in a dry place to protect from moisture.

Panel Rey México, S. A. has the authority to make changes to the information in this document without prior notice. It is not possible to keep all the regulations related to the system up to date, therefore, the user must know these rules.

All claims must be in writing and supported by evidence; They must be sent within a period not exceeding 30 calendar days from the date the defect was discovered or should have been discovered and must be within the product warranty period.

The client should not alter or repair the affected area until Panel Rey has reviewed the problem and determines the possible cause. The responsibility of Panel Rey México S. A. is limited only to the replacement of the defective material and is not responsible for incidental and unforeseen damages, direct or indirect, or any loss caused by the application of these products that does not conform to the instructions or the intended use, as well as the application of the product after the expiration date.

TDS-NS087F12518_33.V2023-1.0